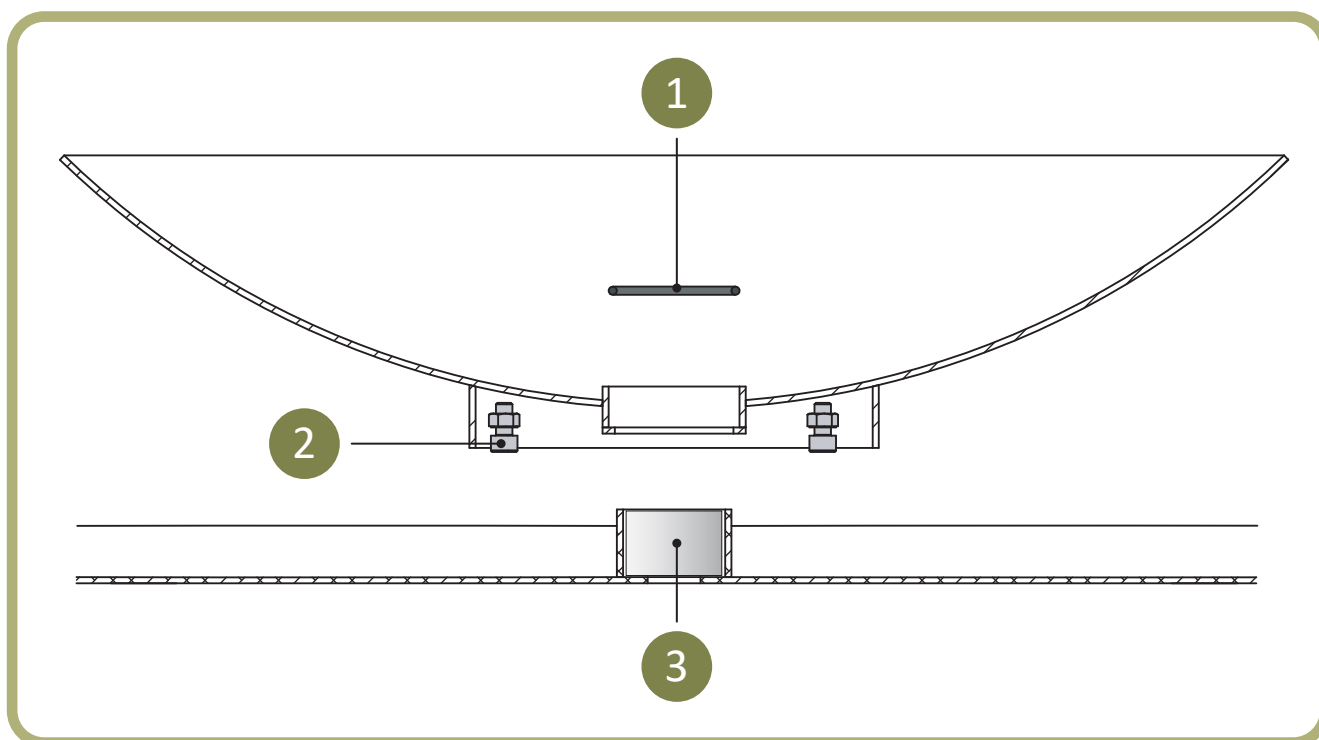


Water table with bowls



1

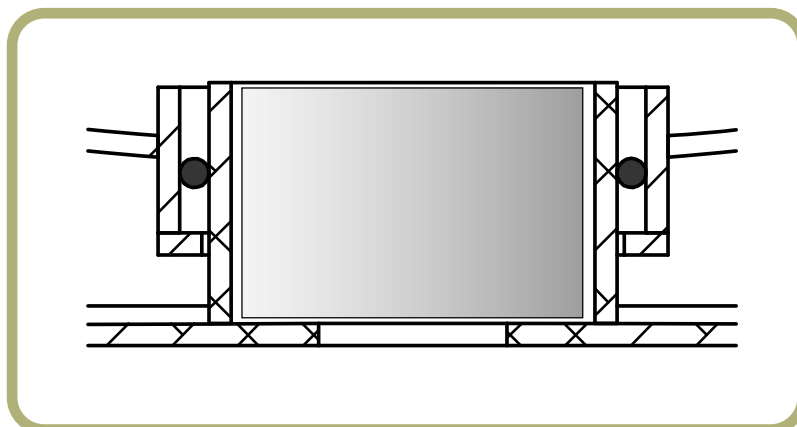
Rubber O-ring

2

Stainless steel level screw

3

Fountain with LED lighting



Rubber O-ring

Place O-ring at shown position.

Stainless steel level screw

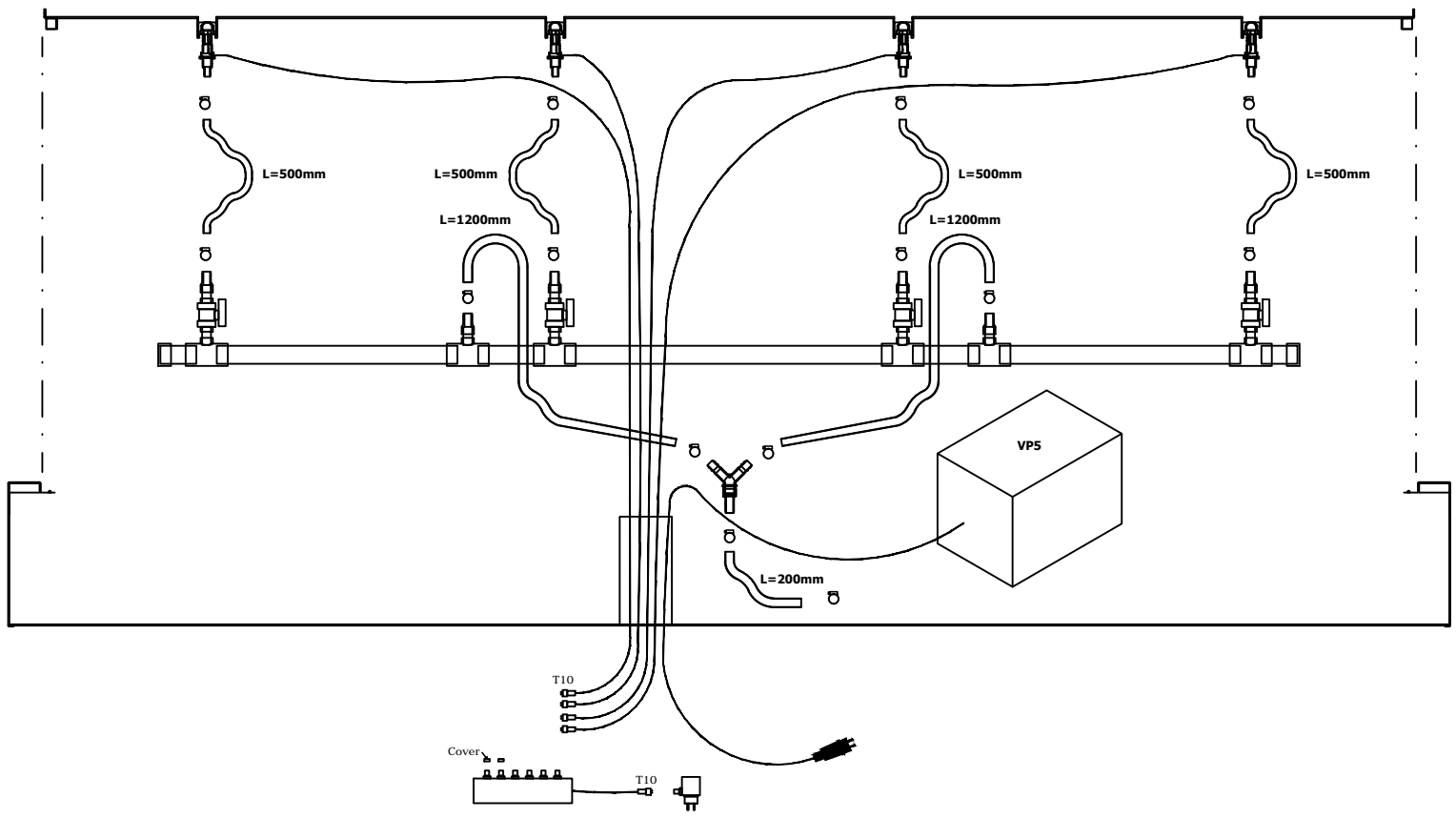
Every bowl can be leveled with 3 stainless steel set screws.

Fountain with LED lighting

Recommended fountain height is 3 cm above the water surface, adjustable by means of a ball valve.

Important!

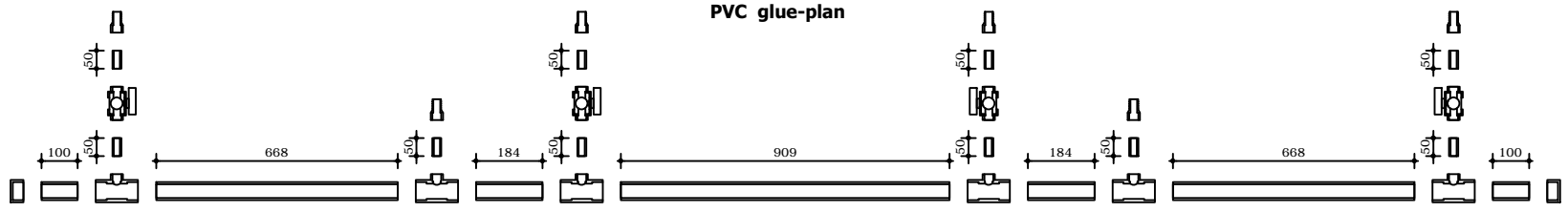
Remove bowls before opening water table.

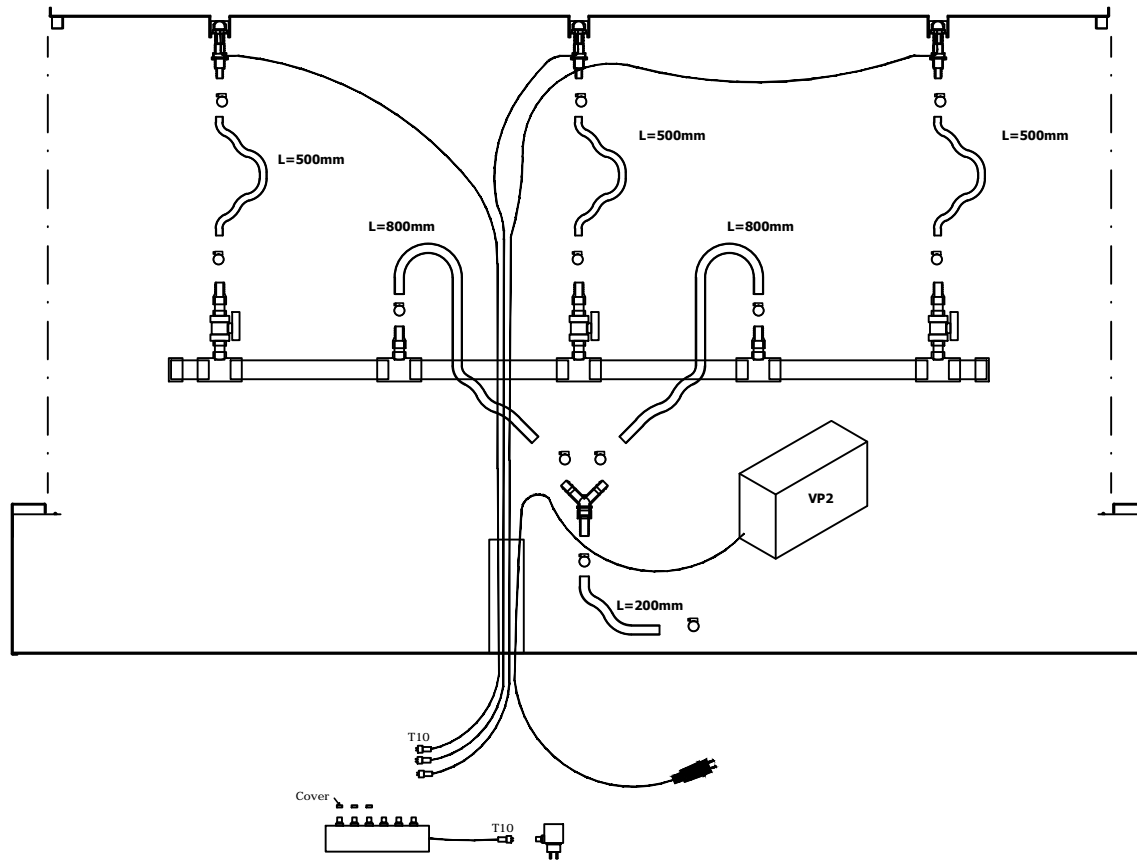


| Number | Description | Code |
|--------|-----------------------------|-----------|
| 1 | Water table 4000x1000x400 | CBS2/ABS2 |
| 4 | Spout with cable | Q1 |
| 4 | Led lamp | Q1 |
| 4 | T10 plug | Q1 |
| 1 | T10 6-way distributor | - |
| 1 | Pump 17000 | VP5 |
| 14 | Hose clamps | - |
| 1 | Y-pieces | - |
| 4 | Hose l=0,5m | - |
| 2 | Hose l= 1,2m | - |
| 1 | Hose l= 0,2m | - |
| 2 | PVC pipe 50, l= 100mm | - |
| 2 | PVC pipe 50, l= 668mm | - |
| 2 | PVC pipe 50, l= 184mm | - |
| 1 | PVC pipe 50, l= 909mm | - |
| 10 | PVC pipe 25, l= 50mm | - |
| 6 | PVC T-Piece 50x25x50 | - |
| 4 | PVC Ball valve 25 | - |
| 6 | PVC Hose connector 25x28x25 | - |
| 2 | PVC End pipe 50 | - |

} = 1 item

PVC glue-plan





| Number | Description | Code |
|--------|-----------------------------|-----------|
| 1 | Water table 3000x1000x400 | CBS3/ABS3 |
| 3 | Spout with cable | Q1 |
| 3 | Led lamp | Q1 |
| 3 | T10 plug | Q1 |
| 1 | T10 6-way distributor | - |
| 1 | Pump 3500 | VP2 |
| 12 | Hose clamps | - |
| 1 | Y-pieces | - |
| 3 | Hose l=0,5m | - |
| 2 | Hose l=0,8m | - |
| 1 | Hose l=0,2m | - |
| 2 | PVC pipe 50, l=100mm | - |
| 4 | PVC pipe 50, l=418mm | - |
| 8 | PVC pipe 25, l=50mm | - |
| 5 | PVC T-Piece 50x25x50 | - |
| 3 | PVC Ball valve 25 | - |
| 5 | PVC Hose connector 25x28x25 | - |
| 2 | PVC End pipe 50 | - |

} = 1 item

PVC glue-plan

